

# TiLite Pilot Canadian Order Form

Effective Aug 2025 (New Items in Red)

CARBON RIGID, GROWABLE FRAME

Page 1 of 5


PROVIDER INFORMATION			
Provider:	Account #:		
PO:	Ordered By:		
Email:	<b>SHIP TO INFORMATION</b>		
Mark For:	Name:	Ship Via:	
TiLite Sales Rep:	Address:		
<b>TiLite Information:</b>	Promo Code:	City:	Province: Postal Code:
Ship Date:	Order #:	Phone:	Fax:

**Please Email to the Permobil Manual Customer Experience Team at [orders@permobil.com](mailto:orders@permobil.com) or Fax to 509.586.2413**

## FRAME STYLE

- TPFS1  **TiLite Pilot INCLUDING Growth Kit** (Full Adjustability. Seat Width **A** grows 2" and Seat Depth **B** grows 3".) 120 Pound Weight Limit. Price includes one-time growth kit and Transit Tie-Down option. Additional growth kits sold separately.).....**\$4,792**
- TPFS2  **TiLite Pilot OMIT Growth Kit**.....**\$4,430**

## SMARTDRIVE POWER ASSIST SYSTEM

-  TPMAXSD1  **Permobil Smart Drive MX2+\*** (Must also select Battery Pack when selecting this option. N/A with rear seat heights less than 13.5", or 20" rear wheels).....**\$7,461**
- TPMAXSD9  Battery Pack (Enclosed in SmartDrive system.).....**\$528**
- TPMAXSD18  SwitchControl Buttons.....**NCO**
- TPMAXSD8  SwitchControl Button with Mono Jack Option.....**NCO**
- TPMAXSD19  **NEW** Buddy Button.....**NCO**
- TPMAXSD4  Carrying Bag.....**\$110**
- TPMAXSD10  Universal Padded Handle.....**\$31**

\*SmartDrive apps available on Apple App Store and Google Play Store for Apple Watch Series 5 or newer and Samsung Galaxy Watch 4 or newer.

## TRANSIT TIE-DOWN OPTION (Refer to the Transit Tie-Down Option Brochure for important information regarding the Transit Tie-Down options.)

- TPWTB  Transport Brackets (Consists of four Tie-Down Brackets.).....**NCO**
- TPTTDO  Transit Tie-Down (WC-19 Tie-Down Brackets require the TiLite back and head support. 95 lb weight limit.).....**\$427**

## FRAME FINISHES

- |   |   |  |
|---|---|--|
| <input type="checkbox"/> TPF8 High Gloss Black      | <input type="checkbox"/> TPF10 Red Pepper             | <input type="checkbox"/> TPF29 Neon Pink                               |
| <input type="checkbox"/> TPF14 Ocean Blue Metallic  | <input type="checkbox"/> TPF15 Tangerine Metallic     | <input type="checkbox"/> TPF30 Acid Green Metallic                     |
| <input type="checkbox"/> TPF17 Midnight Blue Pearl  | <input type="checkbox"/> TPF18 White Pearl            | <input type="checkbox"/> TPF19 Black Lava                              |
| <input type="checkbox"/> TPF27 Titanium Grey        | <input type="checkbox"/> <b>TPF59 Pomegranate Red</b> | <input type="checkbox"/> <b>TPF62 Blue Mist</b>                        |
| <input type="checkbox"/> <b>TPF57 Indigo Purple</b> | <input type="checkbox"/> TPF40 Hyper Blue             | <input type="checkbox"/> TPF41 Flame Orange                            |
| <input type="checkbox"/> TPF42 OD Green             | <input type="checkbox"/> <b>TPF60 Silver Streak</b>   | <input type="checkbox"/> <b>TPF63 Lavender Dusk</b>                    |
| <input type="checkbox"/> <b>TPF58 Black Galaxy</b>  | <input type="checkbox"/> <b>TPF61 Seafoam Green</b>   | <input type="checkbox"/> <b>TPF64 Daffodil Yellow</b> ..... <b>STD</b> |

## COLOR ANODIZE PACKAGE

(Color Anodize Package includes: Caster Mount, Caster Fork, and Caster Caps. If no anodize color is selected, the default will be black.)

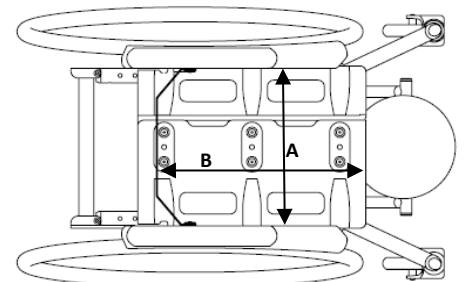
- ZANO1 Black.....**STD**
- ZAN12 Gold  ZAN15 Green  ZAN13 Purple  ZAN14 Orange  ZAN10 Blue  ZAN11 Red.....**NCO**

## FRAME MEASUREMENTS

### FRONT SEAT TO FLOOR HEIGHT, REAR SEAT TO FLOOR HEIGHT, CENTER OF GRAVITY AND SEAT TO FOOTREST

Please see the table below for available configuration adjustment ranges. Center of gravity will be set at the factory. See documentation shipped with chair for detailed information on adjustments.

SEAT DEPTH	MEASUREMENT:	20" REAR WHEEL	22" REAR WHEEL	24" REAR WHEEL
		AVAILABLE RANGE (IN):	AVAILABLE RANGE (IN):	AVAILABLE RANGE (IN):
9"	FRONT SEAT HEIGHT	12.5-15	N/A	N/A
	REAR SEAT HEIGHT	12-13.5	N/A	N/A
	CENTER OF GRAVITY	0.5-1.5	N/A	N/A
10"	FRONT SEAT HEIGHT	12-15	N/A	N/A
	REAR SEAT HEIGHT	12-13.5	N/A	N/A
	CENTER OF GRAVITY	0.5-2.25	N/A	N/A
11"	FRONT SEAT HEIGHT	12-15	13.5-16.5	14-16.5
	REAR SEAT HEIGHT	12-13.5	13-15	13.5-16
	CENTER OF GRAVITY	0.5-3	0.5-2.25	0.5-2.25



Permobil.com  
2701 West Court Street / Pasco, Washington 99301  
Tel 800 736 0925 or Email [tilitesales@permobil.com](mailto:tilitesales@permobil.com)

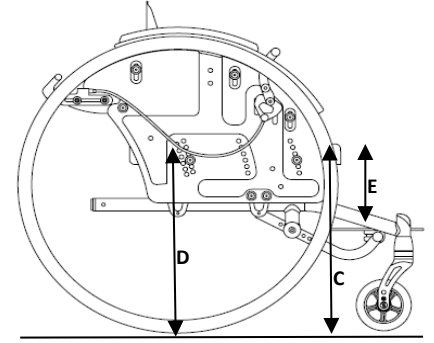
# TiLite Pilot Canadian Order Form

Effective Aug 2025 (New Items in Red)

CARBON RIGID, GROWABLE FRAME

Page 2 of 5

12"	FRONT SEAT HEIGHT	12-15	13.5-16	14-16.5
	REAR SEAT HEIGHT	12-13.5	13-15	13.5-16
	CENTER OF GRAVITY	0.5-3.5	0.5-3.25	0.5-3.25
13"	FRONT SEAT HEIGHT	N/A	13-16	13.5-16.5
	REAR SEAT HEIGHT	N/A	13-15	13.5-16
	CENTER OF GRAVITY	N/A	0.5-3.5	0.5-3.5
14"	FRONT SEAT HEIGHT	N/A	13-16	13.5-16.5
	REAR SEAT HEIGHT	N/A	13-15	13.5-16
	CENTER OF GRAVITY	N/A	0.5-3.5	0.5-3.5
15"	FRONT SEAT HEIGHT	N/A	13-16	13.5-16.5
	REAR SEAT HEIGHT	N/A	13-15	13.5-15.5
	CENTER OF GRAVITY	N/A	1.5-3.5	1.5-3.5



## FRAME MEASUREMENTS

**SEAT WIDTH A** Measure inside width from side panel to side panel. Seat width grows 2" if selected width is between 8" and 12". The 13" width will grow a maximum of 1", and the 14" width will not grow any wider. Refer to chart for seat depth availability.

TPSW1  8"  9"  10"  11"  12"  13"  14".....**STD**

**SEAT DEPTH RANGE:** The seat depth can be grown within the selected range.

9"-12"  11"-15".....**STD**

**SEAT DEPTH B** Measure from front of seat pan to front of back support cushion.

TPSD1  9"  10"  11"  12"  13"  14"  15".....**STD**

**FRONT SEAT HEIGHT C** Measure from the floor to the top edge of the front of the seat pan. Adjustable in 0.5" increments.

TPFSH1  12"  12.5"  13"  13.5"  14"  14.5"  15"  15.5"  16"  16.5".....**STD**

**REAR SEAT HEIGHT D** Measure from the floor to the top edge of the of the seat pan at the intersection of the front of the back support pad and the seat pan. Adjustable in 0.5" increments.

TPRSH1  12"  12.5"  13"  13.5"  14"  14.5"  15"  15.5"  16"  16.5".....**STD**

### FOOTREST TYPE

TPFTR3  Angle Adjustable Footrest.....**STD**

TPFTR24  Flip-Back Depth and Angle Adjustable Footrest (Not available on 8", 9" or 14" seat widths).....**\$301**

**SEAT TO FOOTREST E** Measure from the top of the footplate to the front of the seat pan. For an angle adjustable footrest, this measurement must be at least 2" less than front seat height. For a Flip-Back Depth and Angle Adjustable footrest, this measurement must be at least 3" less than front seat height.

3"  3.5"  4"  4.5"  5"  5.5"  6"  6.5"  7"  7.5"  8"  8.5"  9"  9.5"  10"  
 10.5"  11"  11.5"  12"  12.5"  13"  13.5"  14"  14.5".....**STD**

### COMFORT BACK SUPPORTS (Cane mounted hardware is WC-20 certified.)

TPSB4  Acta-Back (Available on 12" to 14" seat widths)  
Back support length:  10"  12"  14".....**\$760**

TPSB5  Acta-Embrace (Available on 10" to 14" seat widths)  
Back support length:  10"  12"  14".....**\$840**

Comfort Back Options:

TPCHD1 Backrest Mounting Hardware:  Cane Mount Hardware.....**STD**

TPFAB1 Cover Fabric:  Comfort-Tek  Stretch-Air.....**NCO**

TPLAT1  Bodilink 3"L x 4"D Lateral trunk support, each (Swing away, GlideWear cover, non-padded).....**\$567**  
Mounting Location:  Left  Right

**SEAT BACK TYPE** Measure from top of back support to seat pan. Back support shell height is 9.5" with scapular cutouts.

TPSB2  Contoured Non-Folding Adjustable-Height Rigid Back with Pad (11" to 13" height range).....**STD**

TPSB3  Aluminum Canes for Aftermarket back support, no Pad (Not available with height adjustable fenders.).....**NCO**

**HEAD SUPPORT** (The Comfort head support is WC-20 certified on the Acta-Back and Acta-Embrace. The head support is WC-19 certified when used with the TiLite backrest.)

TPHDR1 Comfort Bodilink head support with GlideWear cover (Uses piano taper midline hardware. Available on Acta-Back, Acta-Embrace and TiLite rigid back supports).....**\$635**  
Width:  6"  8"

**PUSH HANDLES** (Height adjustable range is 33" - 40" as measured from the floor with 24" (540) wheels.)

TPSB6  Bolt-On Height-Adjustable Removable Single Push Handle.....**\$252**

TPSB7  Bolt-On Height-Adjustable Removable Dual Push Handles.....**\$312**

**CAMBER / CAMBER TUBES** (Aluminum Camber tube standard. Anodize color will match selection above.)

2° (Minimum 1.5" rear wheel spacing)  4° (Minimum 1.25" rear wheel spacing)  6° (Minimum 1" rear wheel spacing)  
 8°  12".....**STD**

**REAR WHEEL SPACING** Measure from outside of side panel to inside of rear tire at top of wheel. (Not all rear wheel spacing is

# TiLite Pilot Canadian Order Form

available with all accessories.)

TPRWS1	<input type="checkbox"/> 0.75" <input type="checkbox"/> 1" <input type="checkbox"/> 1.25" <input type="checkbox"/> 1.5" <input type="checkbox"/> 1.75" <input type="checkbox"/> 2"	.....	<b>STD</b>
TPCBR12	<input type="checkbox"/> Adjustable Rear Wheel Spacing	.....	<b>STD</b>
TPCBR9	<input type="checkbox"/> Additional Spacers to Increase Rear Wheel Spacing	.....	<b>NCO</b>

**FRONT WHEELS** (TiLite Standard Fork style will be provided.)

TPFW14	<input type="checkbox"/> 4" X 0.75" Plastic Wheel w/Poly Tire	.....	<b>STD</b>
TPFW3	<input type="checkbox"/> 4" X 0.75" Light-Up Micro-Caster	.....	<b>\$88</b>
TPFW26	<input type="checkbox"/> 4" X 1.4" <b>LiteSpeed-7</b> Plastic Wheel w/Soft Roll Tire	.....	<b>\$104</b>
TPFW27	<input type="checkbox"/> 4" X 1.4" <b>LiteSpeed-7</b> Billet Aluminum Wheel w/Soft Roll Tire (Black Hub Only)	.....	<b>\$208</b>

**CUSTOM CONFIGURATION OPTIONS**

**REAR WHEELS**

TPRW14	TiLite SHADOW™	.....	<b>STD</b>
	<input type="checkbox"/> 20"(451) Only available with seat depth range 9"-12".		
	<input type="checkbox"/> 22"(501) Only available with seat depth range 11"-15".		
	<input type="checkbox"/> 24"(540) Only available with seat depth range 11"-15".		
TPRW7	Spinergy SPOX <input type="checkbox"/> Black <input type="checkbox"/> Red <input type="checkbox"/> Blue <input type="checkbox"/> White <input type="checkbox"/> Orange <input type="checkbox"/> Pink <input type="checkbox"/> Purple <input type="checkbox"/> Green (Orange, Pink, Purple And Green only available in 20" size.)	.....	<b>\$983</b>
	<input type="checkbox"/> 20"(451) - Std. Hub		
	<input type="checkbox"/> 22"(501) - Std. Hub Only available with seat depth range 11"-15".		
	<input type="checkbox"/> 24"(540) - Std. Hub Only available with seat depth range 11"-15".		
TPRW8	Spinergy LX <input type="checkbox"/> Black <input type="checkbox"/> Red <input type="checkbox"/> Blue <input type="checkbox"/> White <input type="checkbox"/> Bright Orange <input type="checkbox"/> Flamingo Pink <input type="checkbox"/> Purple <input type="checkbox"/> Green	.....	<b>\$1,153</b>
	<input type="checkbox"/> 22"(501) - Std. Hub Only available with seat depth range 11"-15".		
	<input type="checkbox"/> 24"(540) - Std. Hub Only available with seat depth range 11"-15".		
TPRW9	Spinergy Design Lab LX Wheels (Available with black spokes only.)		
	<input type="checkbox"/> Gold Anodize <input type="checkbox"/> Green Anodize <input type="checkbox"/> Blue Anodize <input type="checkbox"/> Red Anodize <input type="checkbox"/> Purple Anodize <input type="checkbox"/> Orange Anodize	.....	<b>\$1,928</b>
	<input type="checkbox"/> 22"(501) - Std. Hub		
	<input type="checkbox"/> 24"(540) - Std. Hub		
	<input type="checkbox"/> 25"(559) - Std. Hub (Requires 15" minimum Seat Depth B.)		
	<input type="checkbox"/> 26"(590) - Std. Hub (Requires 15" minimum Seat Depth B.)		
TPRW16	Spinergy® Carbon Blade with 2x2 Twill Weave Carbon Fiber (Not available with Heavy Duty Frame.)	.....	<b>\$1,682</b>
	<input type="checkbox"/> 24"(540)		
	<input type="checkbox"/> 25"(559) (Requires 15" minimum Seat Depth B.)		
TPRW17	X-Core Mag (Not available with Short Tabs, Quad Release Axles, or Omit Handrims Option.)		
	<input type="checkbox"/> 20"(451) Only available with seat depth range 9"-12".	.....	<b>\$116</b>
	<input type="checkbox"/> 22"(501) <input type="checkbox"/> 24"(540) Only available with seat depth range 11"-15".	.....	<b>\$121</b>

**AXLES**

TPAXL1	<input type="checkbox"/> Stainless Quick Release	.....	<b>STD</b>
TPAXL3	<input type="checkbox"/> Quad Release (Not available with Mag Rear Wheels.)	.....	<b>\$187</b>

**PNEUMATIC REAR TIRES**

TPRTR1	<input type="checkbox"/> Treaded Treaded 22"(501), 24"(540), and 26"(590)	.....	<b>STD</b>
TPRTR2	<input type="checkbox"/> Airless Inserts	.....	<b>\$99</b>
ZRTR31	<input type="checkbox"/> MBL SpeedLite 20"(451), 22"(501), 24"(540)	.....	<b>STD</b>
TPRTR30	<input type="checkbox"/> Primo Sentinel (Available on all wheel sizes, 20" (451), 22" (501), and 24" (540))	.....	<b>\$175</b>
TPRTR8	<input type="checkbox"/> Schwalbe Marathon (Only available on 24" (540))	.....	<b>\$170</b>

**HANDRIMS**

TPRIM1	<input type="checkbox"/> Aluminum – Silver Anodized	.....	<b>STD</b>
TPRIM21	<input type="checkbox"/> Aluminum – Black Anodized	.....	<b>\$66</b>
	The Natural-Fit® LT (Reduced Weight, Smaller Profile) (Not available with 20"(451) Rear Wheels.)		
TPRIM17	<input type="checkbox"/> Standard Grip (Not available with Short Tabs or Spinergy Carbon Blade Rear Wheels.)	.....	<b>\$546</b>
TPRIM18	<input type="checkbox"/> Super Grip (Not available with Short Tabs or Spinergy Carbon Blade Rear Wheels.)	.....	<b>\$585</b>
TPRIM19	<input type="checkbox"/> Without Thumb Grip	.....	<b>\$503</b>
TPRIM11	<input type="checkbox"/> The Surge LT (All-In-One Oval with Gription™ Strip, Smaller Profile) (Not available with 20"(451) Rear Wheels.)	.....	<b>\$514</b>
TPRIM20	<input type="checkbox"/> Q-Grip (Exclusive High-Friction, Anti-Slip Coating) (Not available with 20"(451) Rear Wheels.)	.....	<b>\$410</b>

**Additional Handrim Options**

TPRIM5	<input type="checkbox"/> Plastic Coated – Black (Not available with Mag Rear Wheels.)	.....	<b>\$175</b>
TPRIM22	<input type="checkbox"/> Omit Handrims	.....	<b>NCO</b>

**Tab Length**

TPRIM7	<input type="checkbox"/> Long Tabs	.....	<b>STD</b>
TPRIM8	<input type="checkbox"/> Short Tabs (Not available with Mag Rear Wheels or The Natural-Fit® Handrims with Thumb Grip.)	.....	<b>\$39</b>

**WHEEL LOCKS**

TPWLK30	<input type="checkbox"/> <b>NEW!</b> Compact Push to Lock (Redesigned with more clamping force)	.....	<b>NCO</b>
TPWLK31	<input type="checkbox"/> <b>NEW!</b> Compact Pull to Lock (Redesigned with more clamping force)	.....	<b>NCO</b>

Mounting Location:

Standard Location **F**  Forward Mount Location **G** (Mounted on forward front of side panel.)

# TiLite Pilot Canadian Order Form

Effective Aug 2025 (New Items in Red)

CARBON RIGID, GROWABLE FRAME

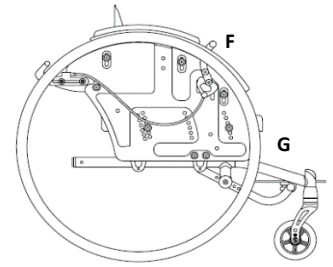
Page 4 of 5

## SOLID SEAT PAN

TPSP1 Solid Seat Pan (Required Option).....\$214

## SEAT CUSHION

TPCSH2  Comfort Curve Cushion (Stretch-Air cover.).....\$150  
 TPCSH23  Comfort Acta-Embrace™ Comfort-Tek Zero Elevation, Cushion.....\$522  
 SCSH11  ROHO Single Compartment Low Profile.....\$711



## CUSTOM CONFIGURATION OPTIONS

ROHO OPTIONS: (Made to order options have a 2-3 week lead time)

		SEAT DEPTH (B)						
		10"	11"	12"	13"	14"	15"	
SEAT WIDTH (A)	8"	Made to Order	Made to Order	Made to Order	Made to Order	Made to Order	Made to Order	Made to Order
	9"	Made to Order	Made to Order	Made to Order	Made to Order	Made to Order	Made to Order	Made to Order
	10"	Made to Order	Made to Order	Made to Order	Made to Order	Made to Order	Made to Order	Made to Order
	11"	Made to Order	Stocked	Stocked	Stocked	Made to Order	Made to Order	Made to Order
	12"	Made to Order	Stocked	Stocked	Stocked	Made to Order	Made to Order	Made to Order
	13"	Made to Order	Made to Order	Made to Order	Stocked	Stocked	Stocked	Stocked
	14"	Made to Order	Made to Order	Made to Order	Stocked	Stocked	Stocked	Stocked
	15"	Made to Order	Made to Order	Made to Order	Stocked	Stocked	Stocked	Stocked

## SIDE GUARDS: (Side guards required)

TPSDG30  Built in Side Guard with Height Adjustable Fender (Not available with 20" rear wheels. ).....\$634  
 TPSDG31  Built in Side Guard WITHOUT Fender.....STD

## ARMRESTS (Armrests attach to built in Side Guards.)

TPARM2  Height Adjustable Desk Arm w/ 10" Pad (Works with Fendered Side Guard Attachment Option.).....\$471  
 TPARM31  Height Adjustable Armrest.....STD

## UPPER BODY POSITIONING

TPUBP1  Bodypoint® PivotFit™ Dynamic shoulder harness with cam buckle mounts, rear-pull .....\$296  
 Extra Small  Small  
 TPUBP2  Bodypoint® Monoflex™ chest support.....\$284  
 Extra Small  Small

## PELVIC POSITIONING BELTS

TPBLT1  Velcro Adjustable, black nylon webbing seat belt.....\$77  
 TPBLT8  Q'Straint® WC-19 Wheelchair-Anchored Pelvic Belt (Recommended for use with Transit Tie Down.).....\$219  
 TPBLT30  Bodypoint® 1" wide two-point padded hip belt with swivel buckle.....\$252  
 TPBLT16  Bodypoint® 1" wide Evoflex® belt with small push-button buckle.....\$263

## LOWER BODY POSITIONING

TPCLF15  Bodypoint® Ankle Huggers®.....\$318  
 Extra Small  Small

## ANTI-TIPS

TPTIP1  Rear Aluminum - Black.....\$219  
 TPTIP7  Single Anti-tip.....\$175  
 Mounting Location:  Right Side  Left Side

## BACKPACK

TPBCK3  Black Permobil Backpack.....\$104

## SPOKE GUARDS

TPGRD30  Clear polycarbonate spoke guard with TiLite Pilot sticker pack (Not available with Mag Rear Wheels.).....\$148

## ACCESSORIES

TPGS1  GRIP Solutions Lap Board (Lap board dimensions are 11" X 14").....\$61  
 TPCH1  Crutch Holder.....\$160

## GENERAL

Permobil manufactures TiLite manual wheelchairs in a wide variety of configurations to meet the varied needs of wheelchair users. The final selection of a particular model, its options and accessories, and its measurements rests solely with the wheelchair user and advising healthcare professional. These wheelchairs must be fitted by a qualified healthcare professional.

# TiLite Pilot Canadian Order Form

Effective Aug 2025 (New Items in Red)

CARBON RIGID, GROWABLE FRAME

Page 5 of 5

**Get the latest order forms at permobilus.com.** Prices, standard features, options and accessories are subject to change without notice. All rights reserved. Trademarks are identified by symbols™ and ®. TiLite, TiFit, the TiLite logo, Ti, the Ti logo, and TiShaft are registered trademarks of TiSport, LLC and are licensed to Permobil. Permobil® is a registered trademark of Permobil. Adobe®, Acrobat®, Acrobat Professional® and Reader® are registered trademarks of Adobe Systems Inc. Bodypoint® is a registered trademark of Bodypoint Inc. Kenda® is a registered trademark of Kenda Rubber Industrial Co. Ltd. ROHO®, AGILITY®, Low Profile® and Quadtro Select® are registered trademarks of ROHO Inc. Schwalbe® is a registered trademark of Ralf Bohle GmbH. The Natural-Fit® and Out-Front® are registered trademarks of Three Rivers Holdings, LLC. The ACTA-BACK®, ACTA-EMBRACE™, COMFORT-TEK™, COMPASS®, CURVE®, ELEMENTS®, and STRETCH AIR™ are registered trademarks of THE COMFORT COMPANY® and are licensed to Permobil. Q'Straint® is a registered trademark of Q'Straint Inc.

## NOTES

**QUOTE THIS CHAIR**

If you are using Adobe Acrobat, this order form may be converted into a quote request or into an order by clicking one of the buttons (this feature is available exclusively to Permobil dealers and distributors). A Quote or an Order Confirmation will be sent to you within 24 hours.

**ORDER THIS CHAIR**